



Welker® Cylinder Carrying Cases

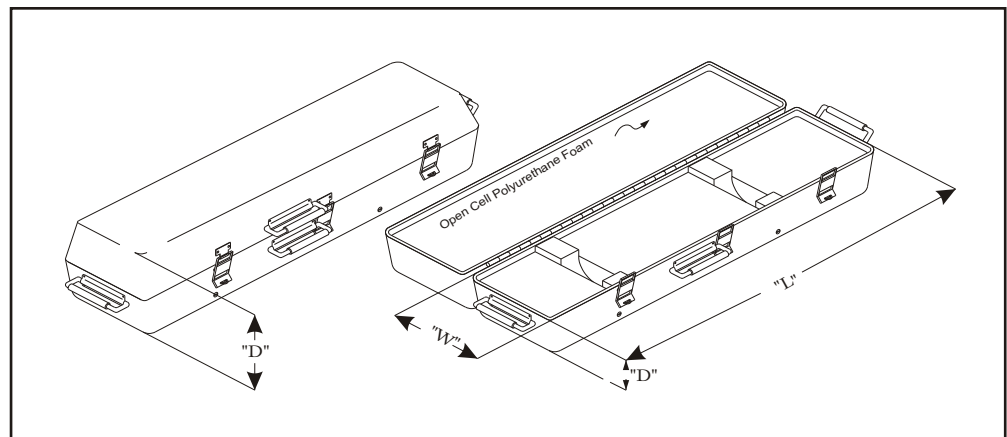
Style CC



Fiberglass construction with stainless steel hinges and latches

Features

- Durable fiberglass construction
- Thick polyurethane foam lining
- Accommodates cylinder complete with valves, reliefs, and gauges
- Conforms to D.O.T. requirements
- All stainless steel hardware
- Manufactured to U.N. specifications



Welker® ... Global Solutions for Your Needs!

Welker® Cylinder Carrying Cases

Specifications**

Style Number	Outside Dimensions			Inside Dimensions			Cylinder
	"L"	"W"	"D"	"L"	"W"	"D"	
CC-1 *	39½"	8¼"	5"	39"	7¾"	4½"	CP2-1000PPA,PPEA CP2-500SIA & MA
CC-2 *	30¾"	8¼"	5"	30¾"	7½"	4½"	CP4-100SIA CP2-150SIA & MA CP2-300SIA & MA CP2-500PPA,PPEA CP2-800PPEA CPT2-500A
CC-3 *	18¾"	8¼"	5"	18½"	7½"	4½"	SPUN CYL. 1000 CP2-150PP,PPEA CP2-300PPA,PPEA
CC-4	69½"	8¼"	5"	69"	7½"	4½"	CP2-1000SIA & MA
CC-5	54¾"	8¾"	5"	54¼"	7½"	4½"	CP2-800SIA & MA
CC-6 w/wood blocks	54"	9½"	8"	53½"	9"	7½"	CP5-3000SIA & MA
CC-6A	64"	9¾"	8"	63½"	9¼"	7½"	CP5-4000SIA&MA & CP2-500-1000HP (ALL STYLES)
CC-6B w/wood blocks	78"	11"	8"	77½"	10½"	7½"	CP5-6000SIA & MA
CC-7 *	23¾"	15¾"	5"	23¼"	15 ¼"	4½"	SPUN CYL 300 (5 EACH) SPUN CYL 500 (5 EACH)
CC-8 w/wood blocks	40"	10¼"	7"	39½"	9¾"	6½"	CP5-2000SIA & MA
CC-8A	40"	10¼"	7"	39½"	9¾"	6½"	CP-300HP & CP-500HP (ALL STYLES)
CC-10	34"	9¾"	7"	33½"	9¼"	6½"	CP7-1000SIA & MA
CC-11 *	16¼"	11½"	5"	15¾"	11"	4½"	GENERAL USE
CC-12	16½"	13½"	14"	16"	13"	13½"	CHART CASE
CC-16	30"	12"	12½"	29½"	11½"	12"	CP11-1000G & GM
CC-17	23½"	9½"	6"	23"	9"	5½"	CP24-150G & GM
CC-18	20¾"	8"	6"	20¼"	7½"	5½"	CP2-500PPA & PPEA
CC-20	32"	16"	6"	31½"	15½"	5½"	GENERAL USE

* smaller cases equipped with only one handle

**Specifications subject to change without notice.
Drawings/Photos may be shown with optional equipment.



13839 West Bellfort • Sugar Land, TX 77498-1671
Phone: (281) 491-2331 • Toll Free: (800) 776-7267 • Fax: (281) 491-8344
Email: Sales@welkereng.com • Web Site: www.welkereng.com