

Welker® LSSM-1 Sampler

Style LSSM-1

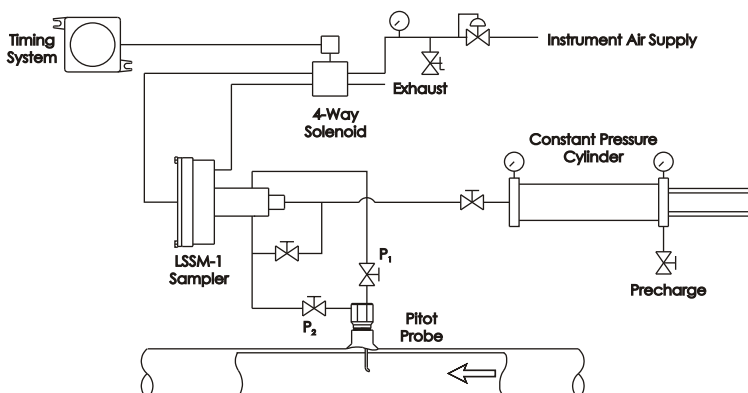
- Fully meets ISO 10715 and API Chapter 14.1 for gas
- Fully meets ISO 3171, API 8.2, ASTM D4177 and GPA 2174 for liquid
- Works with constant pressure or standard cylinders
- Pneumatically operated
- Line pressures up to 5,000 psi (345 Bar)

The Welker® LSSM-1 is a sampler designed to extract a representative sample of the flowing product out of a bypass stream and pump it into either a constant pressure or standard cylinder. It is a positive displacement pump with the patented Vanishing Chamber™ collection head at the heart of the unit. It has a double-acting air actuator to drive the sampler and comes standard with 1/4" NPT connections. Used separately or as part of a complete sampling system, the LSSM-1 will provide the user with an accurate and representative sample of their product.

Features

- Representative sampling with hot loop through sampler body or bypass
- Samples a fixed volume at full line pressure
- Equipped with Vanishing Chamber™ collection head
- Minimum number of moving parts
- All 316 stainless steel construction

Typical Installation Schematic



Welker® ... When Excellence Counts!

Welker® LSSM-1 Sampler

Specifications*

Application

The LSSM-1 sampler can be used with all products that are compatible with the materials of construction and seal material.

Pressure Rating

Line pressures up to 5,000 psi (345 Bar)

Temperature Rating

From -4°F to +248°F (-20°C to +120°C)

Sample Sizes

Vanishing Chamber™ collection heads available in normal sizes 0.2cc, 0.5cc, 1.0cc and 1.5cc. Alternatively available with “B” head in nominal sizes 0.5cc, 1.0cc, 2.0cc, 3.0cc and 4.0cc.

Sampling Rate

Up to 15 samples per minute with suitable instrument air system.

Sampler Actuation

Double-acting air piston motor rated at 120 psi (8 Bar). Both actuating and release time should be 2-second minimum. Sampler actuation can be either time or flow proportional.

Materials

316 stainless steel construction with Viton®, PTFE and Fluorotrel® seals.

Connections

Inlet and return, sample outlet and air connections 1/4” NPT

Required Utilities

Instrument air 40 to 120 psi (4 to 8 Bar) dependent on-line pressure. Air consumption 0.1 scf/grab @ 60 psi (2.9ml/grab @ 4.2 Bar) as single acting; 0.25 scf/grab @ 60 psi (7.1 ml/grab @ 4.2 Bar) as double acting.

Weight

22lbs. (10Kg.)

Options Available (not limited to)

- ½” or 1” NPT inlet and outlet
- ½”, 1” or 1½” flanged connections
- 300#, 600#, 900# or 1500# RF/RTJ
- Other materials available
- “B” type collection head
- “B” relief, sand relief or balanced relief
- Certificates (material 3.1, hydro, functional, conformity, etc.)

Other Welker Products

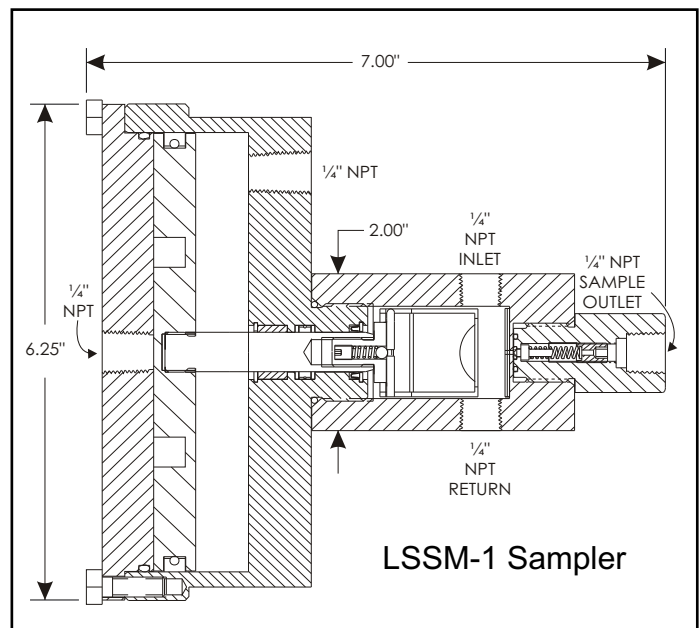
- In-line probe samplers
- Probe regulators
- Constant pressure cylinders
- Control valves
- Cylinder carrying cases
- Sample take-off probes

Manufactured under one or more of the following U.S. Patents:

4,942,772
5,303,599
5,531,130
5,945,611

*Specifications subject to change without notice.

Drawings/Photos may be shown with optional equipment.



Non-standard designs available upon request



13839 West Belfort • Sugar Land, TX 77498-1671
Phone: (281) 491-2331 • Toll Free: (800) 776-7267 • Fax: (281) 491-8344
Email: Sales@welkereng.com • Web Site: www.welkereng.com