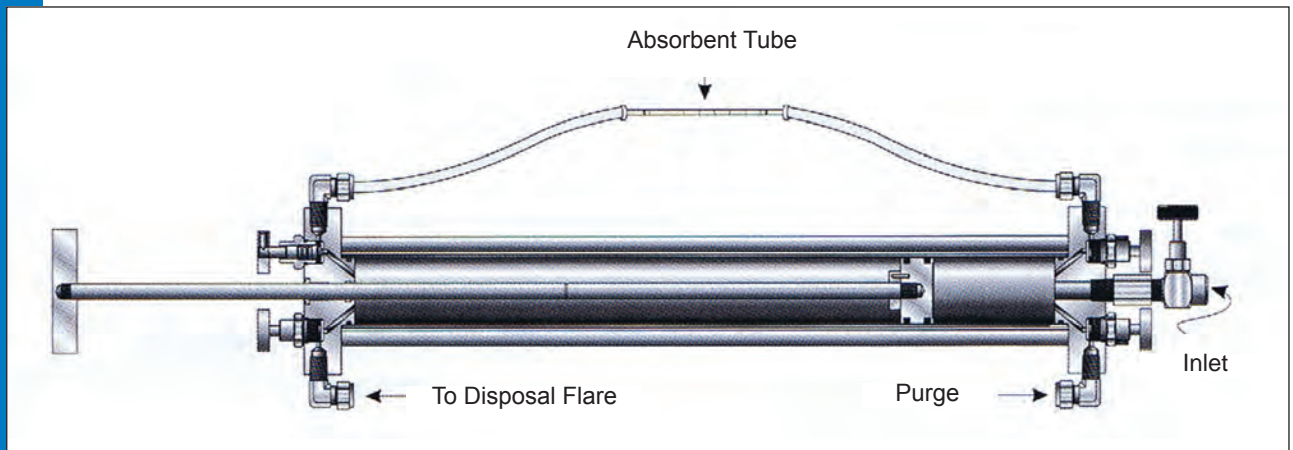




# Welker<sup>®</sup> Absorbent Tube Cylinder



Manufactured under U.S. Patent: 5,578,770

## General Description

The WATC is designed to be used with detector tubes available in the industry. Through the controlled extraction of the gas or liquid from the process into the cylinder, the product is sampled without escaping or venting into the environment. Once drawn into the cylinder, the pressure is reduced to atmosphere, and the detector tube is installed. The product is then pushed through the tube and into the back side of the cylinder for safe disposal. The operator is not exposed to the product and the process is simplified.

### **Welker Does It Safer!**

Welker offers a wide variety of cylinder sizes, materials of construction, pressure ranges and specialty coatings for the WATC.

Contact Welker today to discuss your specific application requirements. A WATC can be custom designed to your specifications at a reasonable price. The Welker WATC is applicable with any brand of absorbent tube.

Welker<sup>®</sup> ... When Excellence Counts!

# Welker® Absorbent Tube Cylinder

## Specifications\*

### Applications

The WATC is designed for use with detector tubes or absorbent tubes available in the oil, gas and chemical industry.

### Pressure Rating

Standard working pressure:

Aluminum — 600 psi (41 bar)

316 stainless steel — 1,800 psi (124 bar)

Other pressure ratings available

### Temperature Rating

Standard: -20°F (-29°C) to +250°F (+121°C)

### Sizes

150 cc to 1,000 cc standard

### Materials

316 stainless steel or 7075-T6 aluminum standard

Chembar coating for chemical resistance standard

Viton® and Fluorotrol® seals standard

Other material available.

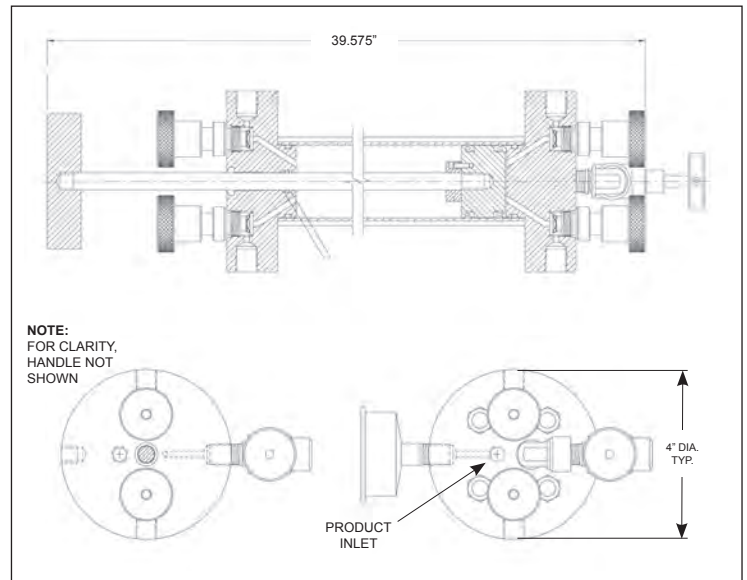
### Connections

Standard: 1/4" NPT

*Non-standard designs and applications  
available upon request.*

\*Specifications subject to change without notice.

Drawings/Photos may be shown with optional equipment.



## Other Welker Products

- In-line probe samplers
- Constant pressure cylinders
- Cylinder carrying cases
- Probe regulators
- Control valves
- Sample take-off probes



13839 West Bellfort • Sugar Land, TX 77498-1671  
Telephone: (281) 491-2331 • Toll Free: (800) 776-7267 • Fax: (281) 491-8344  
Sales Email: Sales@welkereng.com • Web Site: www.welkereng.com