



Welker[®] Cylinder Carrying Cases

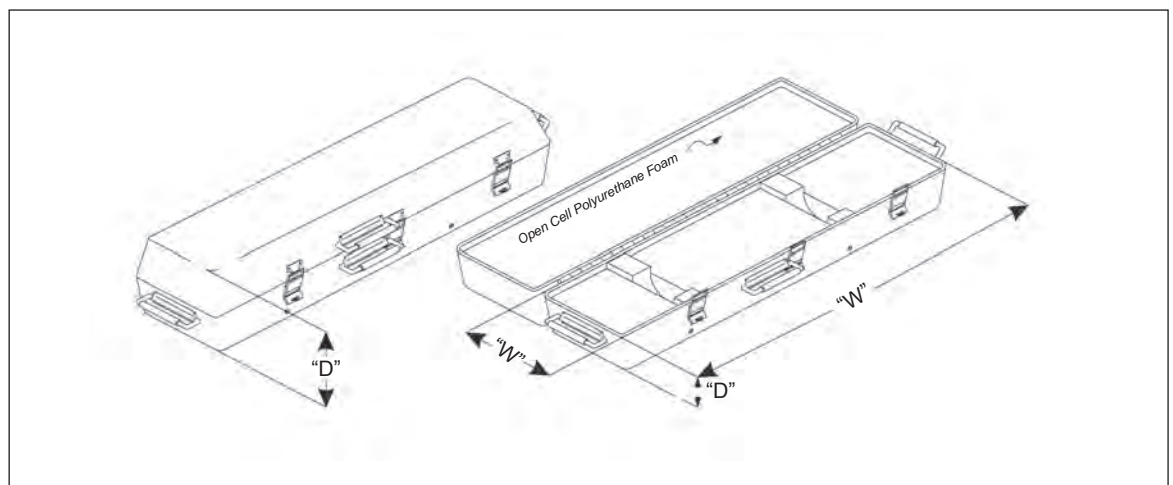
Style CC



Fiberglass construction with stainless steel hinges and latches

Features

- Durable fiberglass construction
- Thick polyurethane foam lining
- Accommodates cylinder complete with valves, reliefs and gauges
- Conforms to D.O.T. requirements
- All stainless steel hardware
- Manufactured to U.N. specifications



Welker[®] ... Global Solutions for Your Needs!

Welker® Cylinder Carrying Cases

Specifications**

Style Number	Outside Dimensions			Inside Dimensions			Cylinder
	"L"	"W"	"D"	"L"	"W"	"D"	
CC-1*	39 1/2"	8 1/4"	5"	39"	7 3/4"	4 1/2"	CP2-1000PPA, PPEA CP2-500SIA & MA
CC-2*	30 7/8"	8 1/4"	5"	30 3/8"	7 1/2"	4 1/2"	CP4-100SIA CP2-150SIA & MA CP2-300SIA & MA CP2-500PPA, PPEA CP2-800PPEA CP2-500A
CC-3*	18 7/8"	8 1/4"	5"	18 1/2"	7 1/2"	4 1/2"	SPUN CYL. 1000 CP2-150PP, PPEA CP2-300PPA, PPEA
CC-4	69 1/2"	8 1/4"	5"	69"	7 1/2"	4 1/2"	CP2-1000SIA & MA
CC-5	54 3/4"	8 3/4"	5"	54 1/4"	7 1/2"	4 1/2"	CP2-800SIA & MA
CC-6 WITH WOOD BLOCKS	54"	9 1/2"	8"	53 1/2"	9"	7 1/2"	CP5-3000SIA & MA
CC-6A	64"	9 3/4"	8"	63 1/2"	9 1/4"	7 1/2"	CP5-4000SIA & MA CP2-500 THRU 1000HP (ALL STYLES)
CC-6B WITH WOOD BLOCKS	78"	11"	8"	77 1/2"	10 1/2"	7 1/2"	CP5-6000SIA & MA
CC-7*	23 5/8"	15 3/4"	5"	23 1/4"	15 1/4"	4 1/2"	SPUN CYL 300 (5 EACH) SPUN CYL 500 (5 EACH)
CC-8 WITH WOOD BLOCKS	40"	10 1/4"	7"	39 1/2"	9 3/4"	6 1/2"	CP5-2000SIA & MA
CC-8A	40"	10 1/4"	7"	39 1/2"	9 3/4"	6 1/2"	CP-300HP & 500HP (ALL STYLES)
CC-10	34"	9 3/4"	7"	33 1/2"	9 1/4"	6 1/2"	CP7-1000SIA & MA
CC-11*	16 1/4"	11 1/2"	5"	15 3/4"	11"	4 1/2"	GENERAL USE
CC-12	16 1/2"	13 1/2"	14"	16"	13"	13 1/2"	CHART CASE
CC-16	30"	12"	12 1/2"	29 1/2"	11 1/2"	12"	CP11-1000G & GM
CC-17	23 1/2"	9 1/2"	6"	23"	9"	5 1/2"	CP24-150G & GM
CC-18	20 3/4"	8"	6"	20 1/4"	7 1/2"	5 1/2"	CP2-500PPA & PPEA
CC-19	32"	16"	6"	31 1/2"	15 1/2"	5 1/2"	GENERAL USE

*Smaller cases equipped with only one handle

**Specifications subject to change without notice.
Drawings/Photos may be shown with optional equipment.



13839 West Bellfort • Sugar Land, TX 77498-1671
Telephone: (281) 491-2331 • Toll Free: (800) 776-7267 • Fax: (281) 491-8344
Sales Email: Sales@welkereng.com • Web Site: www.welkereng.com