

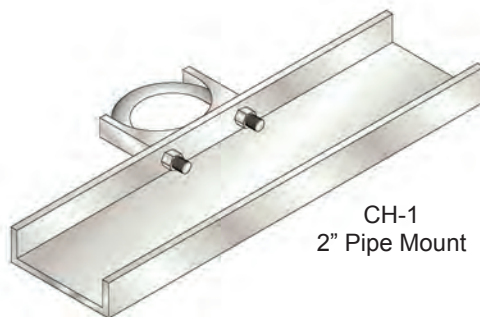


Welker® Cylinder Holders/Positioners

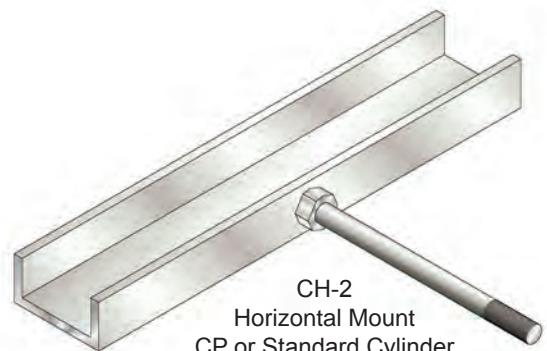
*Welker offers a variety of cylinder holders
to accommodate all your sampler needs.*

Welker offers yet another innovative product for the gas and liquid measurement industry. The laboratory cylinder holder is the answer to laboratory clutter when running cylinders for analysis. Versatile for multiple cylinder sizes, and designed for easy set up, the laboratory cylinder holder clamps in place and rotates to proper cylinder position quickly and easily. Improve your efficiency and your analysis with the Welker laboratory cylinder holder.

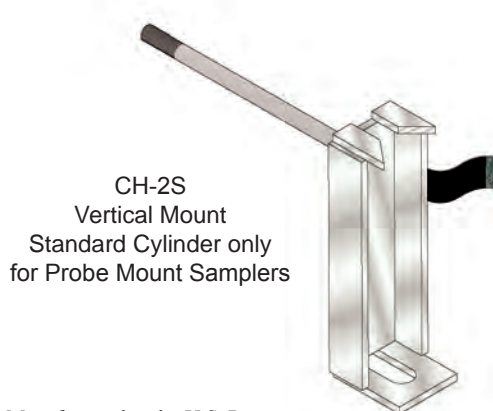
Welker Makes It Easier!



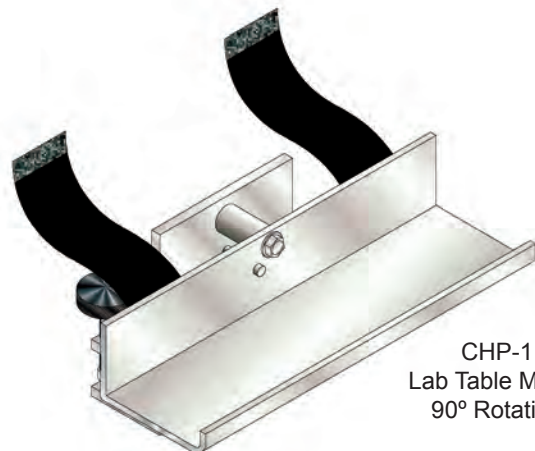
CH-1
2" Pipe Mount



CH-2
Horizontal Mount
CP or Standard Cylinder
for Probe Mount Samplers



CH-2S
Vertical Mount
Standard Cylinder only
for Probe Mount Samplers



CHP-1
Lab Table Mount
90° Rotation

Manufactured under U.S. Patent
5,769,375

Welker® ... When Excellence Counts!

13839 West Bellfort • Sugar Land, TX 77498-1671
Telephone: (281) 491-2331 • Toll Free: (800) 776-7267 • Fax: (281) 491-8344
Sales Email: Sales@welkereng.com • Web Site: www.welkereng.com