

**WELKER**<sup>®</sup>  
ENGINEERING COMPANY

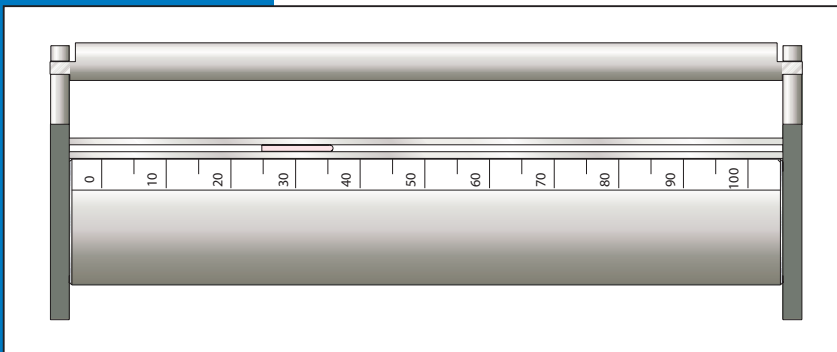
ISO-9001  
CERTIFIED  
SINCE 1992

# Welker CP-66EM Constant Pressure Sample Cylinder

*Style CP-66EM  
For High Pressures*

## General Description

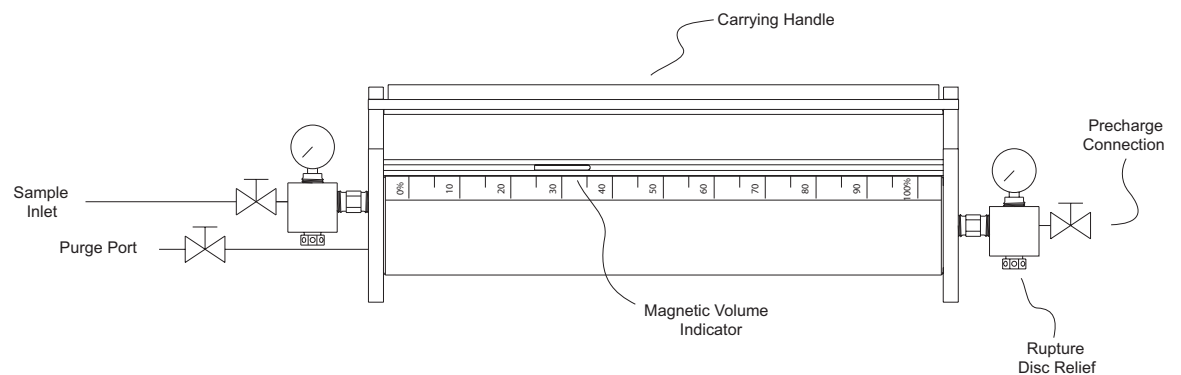
The Welker CP-66EM constant pressure sample cylinder is designed to hold a representative sample of product at exactly the same condition as in the pipeline. It has been a lightweight design, with ease of maintenance as a major consideration. It is available in various sizes ranging from 150 cc to 1000 cc, all with the optional gravity ellipsoid mixer. The purge style end cap allows for complete purging across the face of the end cap. Welker Engineering Company's experience with constant pressure cylinders spans three decades, and Welker maintains the capabilities to custom design and manufacture cylinders to fill any need. The CP-66EM is another *Welker Original Product* designed to improve the profitability of your company.



## Features

- High pressure, up to 5000 psi (345 Bar).
- Ultra light titanium construction.
- Ellipsoid gravity mixer.
- Magnetic volume indicator.
- Easy carry handle.
- Purge through product end cap.

TYPICAL ARRANGEMENT



**Welker... When Excellence Counts!**

# Welker CP-66EM Constant Pressure Sample Cylinder

## Specifications

### Application

The CP-66EM can be used with all products that are compatible with the materials of construction and seal material.

### Pressure Rating

Working pressure is 5000 psi (345 Bar) standard.  
Higher pressure ratings available.

### Temperature Rating

From -20 to +250 °F (-29 to +121 °C)

### Volume Sizes

150 cc, 300 cc, 500 cc, and 1000 cc standard.

### Connections

1/4" FNPT ports.

### Materials

6A14V titanium and 6061T6 aluminum (piston only), with Viton® and Fluorotrel® seals.

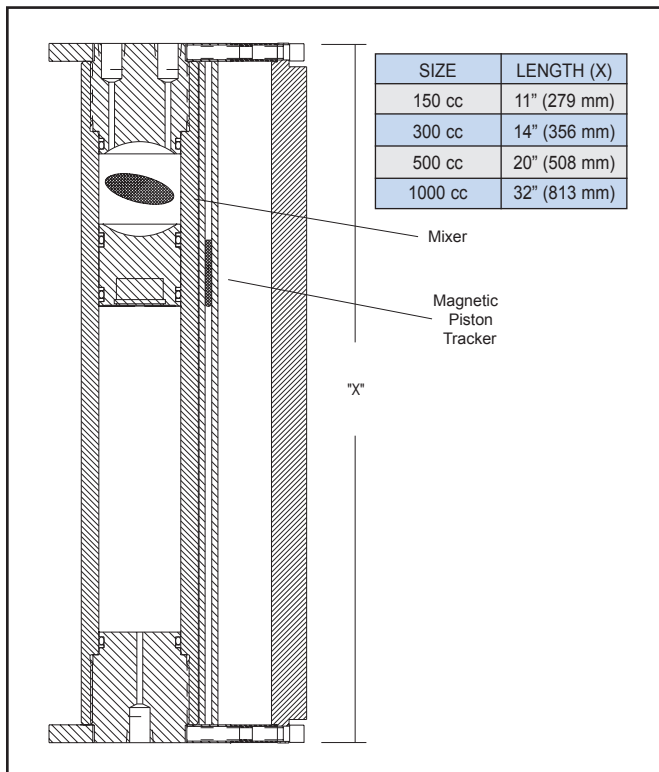
### Required Utilities

If the pipeline natural gas is not used for precharge pressure, a nitrogen, helium, or argon precharge is required.  
CAUTION: Never use liquids for precharge pressure.

### Weight

150 cc - 8.5 lbs (3.9 kg)  
300 cc - 11 lbs (5.0 kg)  
500 cc - 14 lbs (6.4 kg)  
1000 cc - 18 lbs (8.2 kg)

**Non-standard designs available upon request**

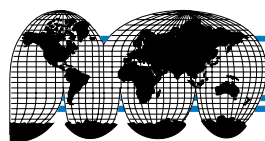


## Options Available

- No mixer
- 1/2" FNPT ports
- Vortex mixer
- Other materials of construction
- Carrying cases (FRP)
- Resettable spring reliefs
- Certificates (material 3.1b, hydrostatic, functional, conformity, etc.)

## Other Welker Products

- In-Line Probe Samplers
- Crude Oil Sampling Systems
- Cylinder Carrying Cases
- Sample Take-Off Probes
- Probe Regulators
- Control Valves
- Complete System Packages



**WELKER**<sup>®</sup>  
ENGINEERING COMPANY

P.O. Box 138 • Sugar Land, TX 77487-0138  
Phone: 281-491-2331 • Domestic Fax: 281-491-8344 • International Fax: 281-242-5623  
Email: prosamp@welkereng.com • Web Site: www.welkereng.com

**1-800-PRO-SAMP**