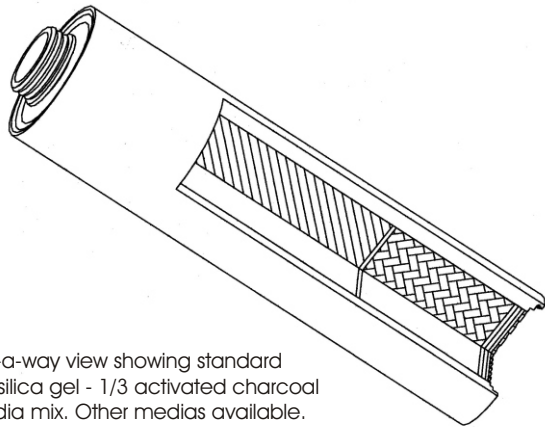


# WELKER®

Engineering Company

ISO-9001  
CERTIFIED  
SINCE 1992

## Welker Heavy Duty Filter Cartridge



Cut-a-way view showing standard  
2/3 silica gel - 1/3 activated charcoal  
media mix. Other medias available.

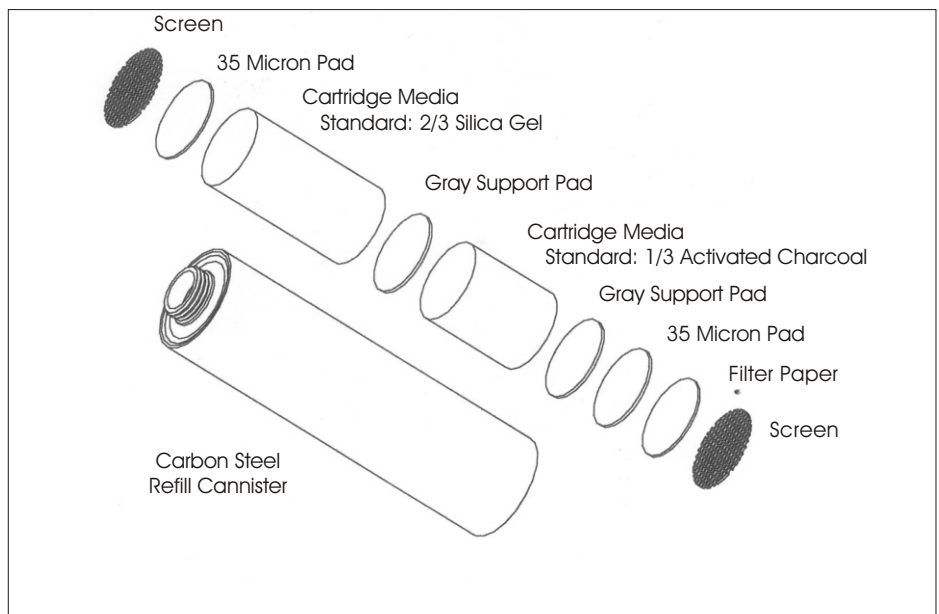
Designed for use where high capacity flow rates are required. The HD cartridge comes with a standard media combination of silica gel and activated charcoal, providing effective removal of unwanted aerosols, liquids and odors. The "spin on" cartridge can be easily refilled with the standard desiccant mixes or custom packaged for your specific needs. Fits Welker F4, F5 & F5L filters (specify correct housing when ordering).

Carbon Steel construction  
1500 psi maximum working pressure  
200° F (94C) maximum temperature  
Sulfur-Gon available for H<sub>2</sub>S

Inlet PSI	300	400	500	600	720	820
Outlet PSI	175	255	320	400	445	500
Flow SCFM	138	160	182	205	218	230

Specifications subject to change without notice.  
Drawings/Photos may be shown with optional equipment.

Model	Cart.Length
F-4	6.625"
F-5	13.125"
F-5L	20.625"



**Welker ....World Class Solutions**

P. O. Box 138 Sugar Land, TX 77487-0138  
 Phone: 281-491-2331 Domestic Fax: 281-491-8344 International Fax: 281-242-5623  
 Email: prosamp@welkereng.com Web Site: www.welkereng.com

8/02  
 Copyright 2002, Welker Engineering Company  
 Welker®, WelkerScope™ are registered trademarks  
 owned by Welker Engineering Company

**1-800-PRO-SAMP**

HDCART  
4/2004