



Gas Sampler

Model GSS-4PM

What's In It For You?

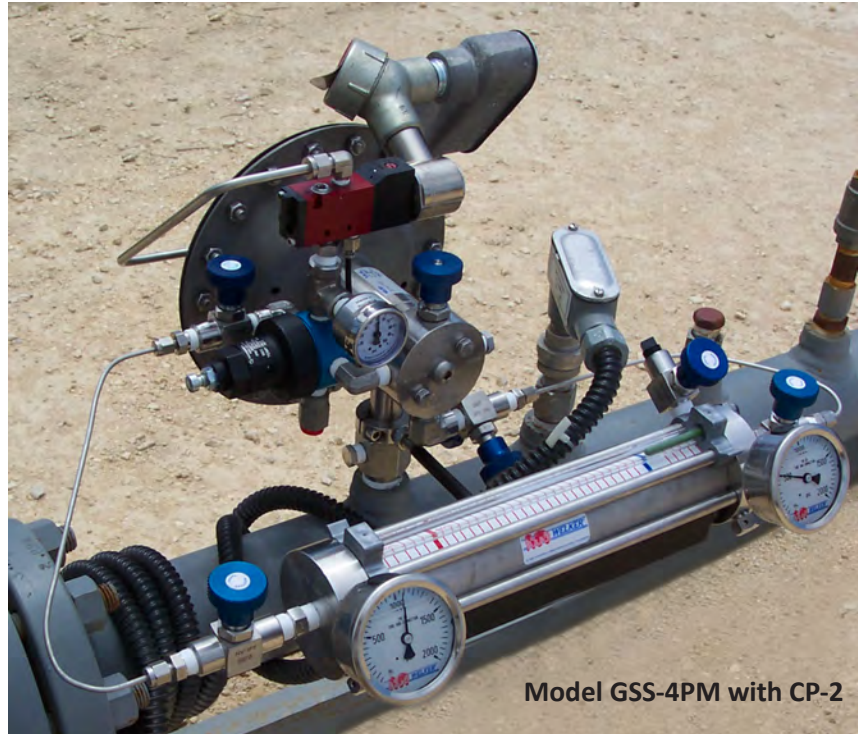
- The premier sampler in the industry
- Low maintenance and operational cost
- Quick and simple installation due to a fully integrated sampling manifold
- Easy to order, with simple-to-identify options
- Sturdy construction for rugged service
- Quick delivery
- Designed for easy add-on options
- Easy-to-adjust inline relief

Fast Facts

- 100% displacement of collection sample to check valve
- Proportional or time-based operation
- 316 SS wetted parts
- 2 active seals
- No inlet check valve to potentially alter sample integrity
- Compatible with single cavity or constant pressure cylinders
- Exceeds natural gas sampling standards

Where To Use It

- All sampling locations for natural gas



Model GSS-4PM with CP-2

What It Is

Welker is known throughout the natural gas industry as the innovator of composite sampling design.

The GSS series has been the industry workhorse for more than 25 years, seeing service in every corner of the world. Rugged, durable and with the top-of-the-line reputation for proven accuracy, our composite gas sampler line has an unbeatable track record.

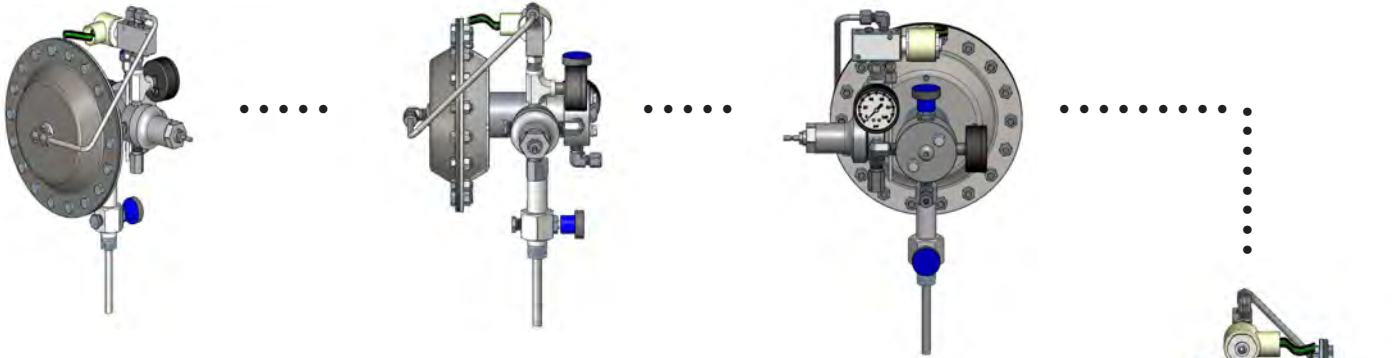
The GSS-4PM has been used in a variety of testing protocols in the development of industry standards. As a complete package, with cylinders and cylinder cases, the GSS-4PM will meet any of your gas sampling requirements up to 2,160 psi (149 bar).

How It Works

The GSS-4PM is mounted directly to the pipeline, eliminating difficult tubing runs, bends and lag time.

The sampler is actuated by a self-contained timer or proportional-to-flow signal from a flow computer. The sample is directed to the sampler body, where it is grabbed and pumped directly to the collection cylinder.

The sample is always maintained at full line pressure. No pressure reduction is necessary. At the end of the sample period, the cylinder is easily removed for transportation to the lab. A new cylinder is installed and the cycle repeats.



Build Your Own

GSS 4P [] [] [] [] [] [] 8 2 9 0 8 0

Pipeline Connection:

1/2" MNPT: A
 3/4" MNPT: B
 1" MNPT: C

Electronics:

6Tc Timer: B
 Solenoid Only Standard: F
 (3/4-way with 15' lead)
 Solenoid Only (3/4-way): V

Voltage:

24 VDC: 3
 12 VDC: 4
 6 VDC: 5
 6Tc Timer: T

Only available if V or F (Electronics) is selected
 Only available if B (Electronics) is selected

Collection Head Compound:

V: Viton
 K: Kalrez

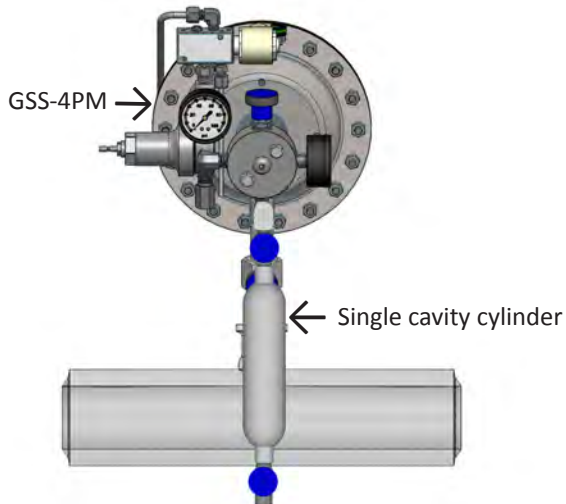
Relief:

If using constant pressure cylinder, select relief option 1
 If using single cavity cylinder, relief option is dependent on maximum operating pipeline pressure

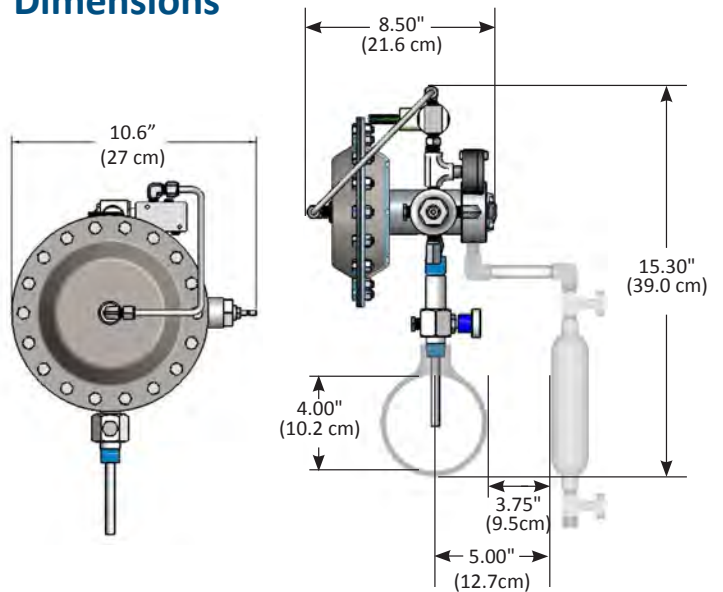
1: Inline Relief 0-400#
 2: Inline Relief 300-1000#
 3: Inline Relief 900-1500#

Contact us to explore more options

Typical Set-up For Welker GSS-4PM



Dimensions



For a Customized Solution ...



13839 West Bellfort Street
 Sugar Land, Texas 77498
 281-491-2331
 www.welkereng.com