



Welker® Automatic Insertion Instrument Regulator

Style IRA-4SS

The IRA-4SS is a Welker innovative and patented product designed to improve the profitability of your company. The patented Automatic Insertion Device allows insertion and removal of the probe from a high-pressure pipeline through a full open isolation valve without pipeline shutdown. It complies with API 14.1, GPA 2166 and ISO 10715.

Manufactured under U.S. Patents:

5,756,906 5,907,107
6,338,359 6,761,757
Additional patents pending

General Description

The Welker Probe Regulators are designed to provide your chromatograph, H₂S analyzer, thermittator, moisture analyzer, gravitometer, calorimeter, or other on-line gas analyzer with a properly conditioned sample stream. These regulators are designed with the point of regulation near the tip of the probe in the flowing stream. The natural temperature drop that occurs during regulation (Joule-Thomson effect) is mitigated in part by design of the probe tip as it relates to the point of regulation and its proximity to the thermal fins once the unit is placed in the active flowing stream. When used with an isolation valve, the IRA-4SS can be completely installed or removed without interrupting pipeline flow or operations.

Welker Makes It Safe and Simple!

Features

- Diaphragm design for increased low-pressure output sensitivity
- Probe design inhibits creation of free liquids into instrument supply systems
- 316 stainless steel construction
- Insertion depth is easily adjustable

Welker® ... When Excellence Counts!

Welker® Automatic Insertion Instrument Regulator

Specifications*

Application

The IRA-4SS can be used with all products that are compatible with the materials of construction and seal material. High-capacity downstream relief is recommended.

Pressure Rating

Line pressure up to 2,160 psi (149 Bar). Higher pressure ratings available. Outlet pressure ranges 2-25 psi (0-1.7 Bar), 0-50 psi (0-3.5 Bar) and 20-100 psi (1.4-6.9 Bar).

Temperature Rating

From -20°F (-29°C) to +400°F (+204°C)

Insertion Length

18" (45.7 cm) and 24" (60.9 cm) insertion travel standard, other insertion lengths available in 6" (15.2 cm) increments

Flow Data

Cv — .138

Inlet Screen

Stainless steel mesh

Materials

316 stainless steel construction with Viton® seals and PTFE seats.

Connections

Pipeline connections are 1" MNPT standard with flange connections available upon request. Outlet gauge and relief valve connections are 1/4" NPT.

Weight

16 lbs. (7.2 kg)

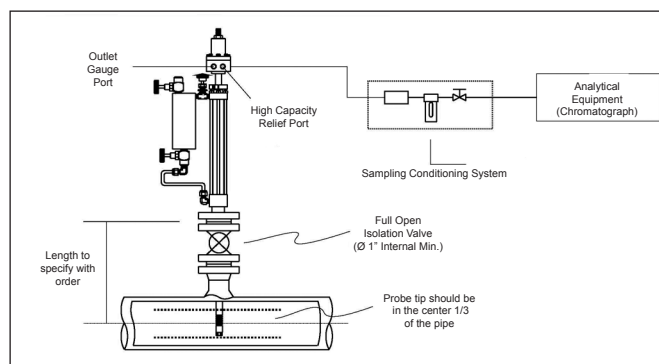
Options Available

- Other materials available
- 2", 3" or 4" flanged connections 300#, 600# 900# or 1500# RF/RTJ
- Working pressure up to 5,000 psi (345 Bar)
- Certificates — material 3.1B, hydro, functional, conformity, etc.
- Special inlet tip designs for wet gas

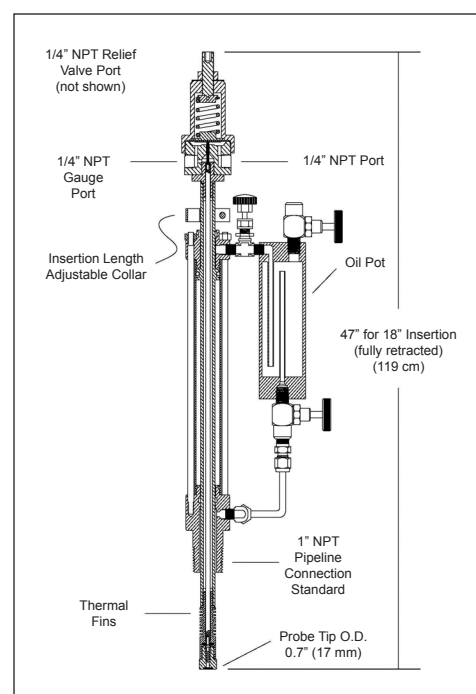


13839 West Bellfort • Sugar Land, TX 77498-1671
Telephone: (281) 491-2331 • Toll Free: (800) 776-7267 • Fax: (281) 491-8344
Sales Email: Sales@welkereng.com • Web Site: www.welkereng.com

©2010 Welker, Inc. All Rights Reserved. Welker®, WelkerScope® and Welker Jet® are registered trademarks owned by Welker, Inc.



Typical Installation Schematic



Model IRA-4SS

*Specifications subject to change without notice.
Drawings/Photos may be shown with optional equipment.

Non-standard designs available upon request.

Other Welker Products

- Analyzer Liquid Shut-Off
- Filters
- Vent check valve
- Liquid Eliminators
- Sampling systems
- Chemical injection systems
- Control valves
- Custom design