



# Welker<sup>®</sup> Calibration Standard Heated Enclosure

*Protect your calibration standards and your calibration tables from temperature-induced stratification*

The Welker<sup>®</sup> Calibration Standard Heated Enclosure is designed to maintain the temperature of your standard and prevent temperature swings that will affect the integrity of your calibration standard. Exposing the standard to temperatures below its dew point may cause stratification, with the heavier components settling on the bottom and the lighter components collecting near the top.

The Welker<sup>®</sup> Calibration Standard Heated Enclosure protects the hydrocarbon dew point of the cylinder contents, preventing unwanted condensation inside the cylinder.

Specifications subject to change without notice. Drawings/Photos may be shown with optional equipment.



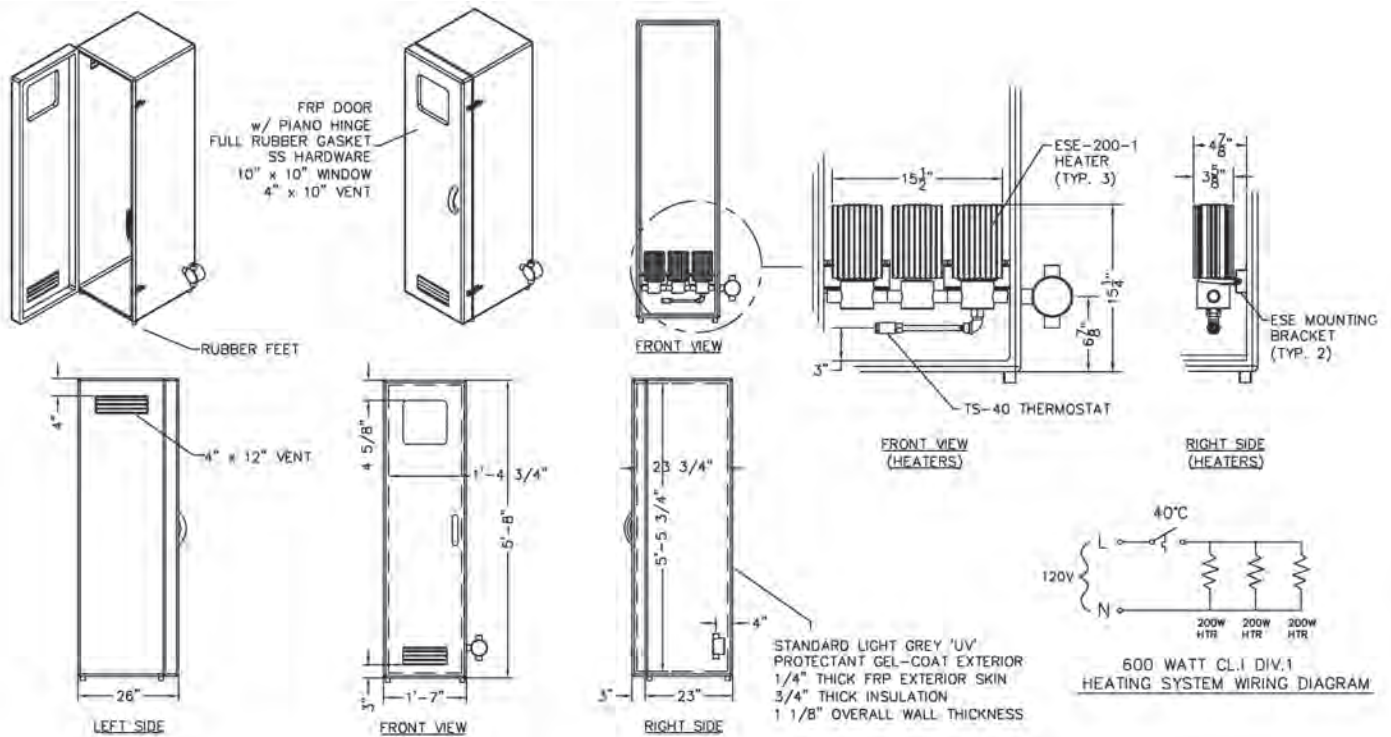
Welker<sup>®</sup> ... Engineering World Class Solutions!



13839 West Belfort • Sugar Land, TX 77498-1671  
Telephone: (281) 491-2331 • Toll Free: (800) 776-7267 • Fax: (281) 491-8344  
Sales Email: [Sales@welkereng.com](mailto:Sales@welkereng.com) • Web Site: [www.welkereng.com](http://www.welkereng.com)

# Welker® Calibration Standard Heated Enclosure

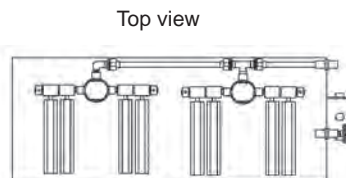
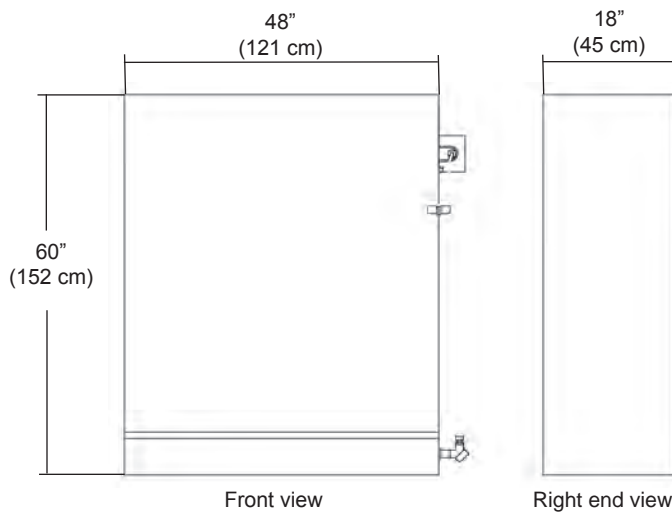
## CSHE Specifications\*



### Specifications - Single

- **Dimensions:** 65 3/4" (167 cm) tall x 19" (48 cm) wide x 23 3/4" (60 cm) deep
- **Temp Rating:** 120°F (48°C) @ 0°F (17°C) Ambient
- 300 Watt, 120VAC heater with integral 104°F (40°C) thermostat

\* Specifications subject to change without notice.  
Drawings/Photos may be shown with optional equipment.



### Specifications - Double

- **Outside:** 60" (152 cm.) tall x 48" (121 cm.) wide x 18" (45 cm.) deep
- **Inside:** 50" (127 cm) tall x 42" (106 cm) wide x 14" (35 cm) deep
- **Weight:** Approximately 180 lbs. (81 kg.)
- Eight (8) heating elements
- **Temp Rating:** 110°F (43°C) (@ 32°F (0°C) Ambient)
- **Pressure Rating:** Standard working pressure up to 2,160 psi (149 bar)
- All connections are 1/4" NPT on conduit
- Conduit connections are 1/2"

At Welker, safety is our primary concern. Our heated enclosures are designed to be intrinsically safe, through the use of materials approved and certified by Factory Mutual Research and/or Underwriters Laboratories, for Class 1, Division 2, Groups C & D use.