



Welker[®] Heated Regulator

A unique convection-by-conduction design and removable heat inducer puts this Welker patented product above all other heated regulators on the market. It prevents gas condensation caused by the temperature loss produced from large drops in pressure. Because of the large surface area of the heat inducer, the gas or liquid being analyzed stays in contact longer with the heat source, retaining its heat for a longer period. This ensures no phase change and a more accurate sample.



Features

- Patented convection-by-conduction design, for efficient operation
- Low retention time for gas
- Adjustable thermostat
- Removable heat inducer

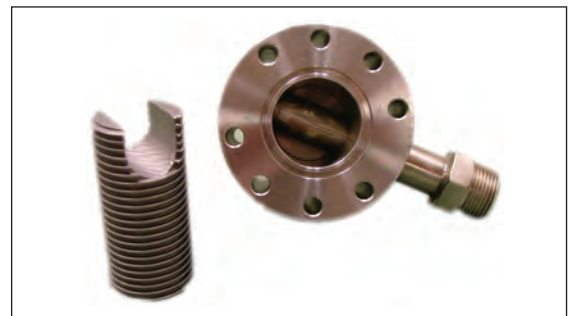
Specifications*

- 2,160 psi (149 bar) working pressure at -20°F (-29°C) to +100°F (+38°C)
- 150-watt heating element
- 110 VAC
- Thermostat: 68°F (20°C) to 212°F (100°C)
- 316 SS regulator, aluminum heat inducer
- Class 1, Div. 1, Groups C & D

*Specifications subject to change without notice.
Drawings/Photos may be shown with optional equipment.

Applications

The Welker Heated Regulator is used to offset the temperature loss associated with the Joule-Thomson effect, making certain gas maintains its phase leading to analyzers or gas chromatographs.



Manufactured under U.S. Patents:
5,907,107
7,471,882

Welker[®] ... When Excellence Counts!

13839 West Belfort • Sugar Land, TX 77498-1671
Telephone: (281) 491-2331 • Toll Free: (800) 776-7267 • Fax: (281) 491-8344
Sales Email: Sales@welkereng.com • Web Site: www.welkereng.com

Welker® Heated Probe Regulator

Specifications

Pressure Rating

2,160 psi working pressure at -20°F to +100°F
Standard Output Range: 0-200 PSIG

Temperature Rating

HR-4SS, HRA-4SS, HRD-4SS:

-20°F to +200°F

HRA-4SSLT: -100°F to +200°F

Materials

316 stainless steel construction

Soft goods: PTFE/Viton®

Other materials available

Electrical Requirements

120 VAC

150 Watt heating element

Thermostat: 68°F to 212°F

Class 1, Div. 1, Groups C & D

Connections

Pipeline: HRD: Standard 1/2", 3/4", 1" NPT

HRA: 1" NPT (Flanged available)

Regulator: 1/4" NPT Outlet

Standard insertion depths

HRD: For 2", 3" pipelines: 2.2"

For 4", 6", 8" pipelines: 3.6"

For 10", 12" pipelines: 6.5"

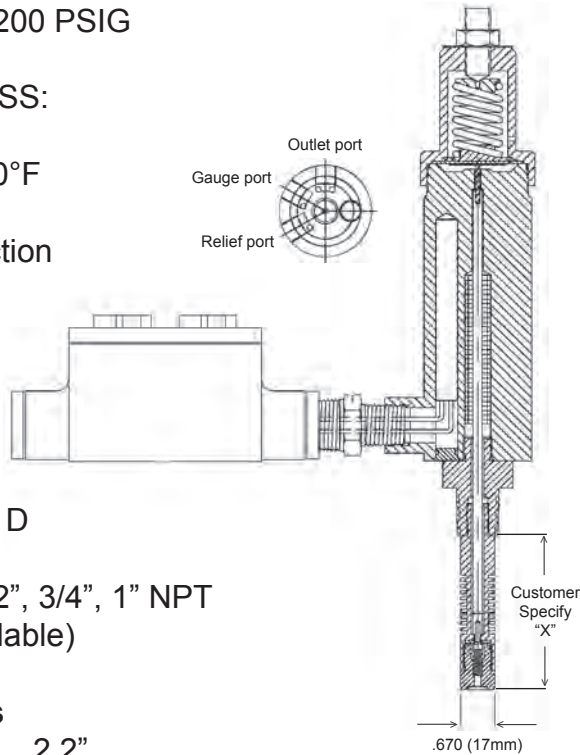
HRA: 18" to 36"

Flow coefficient (Cv)

IR style - 0.138

IRA style - 0.138

IRD style - 0.138

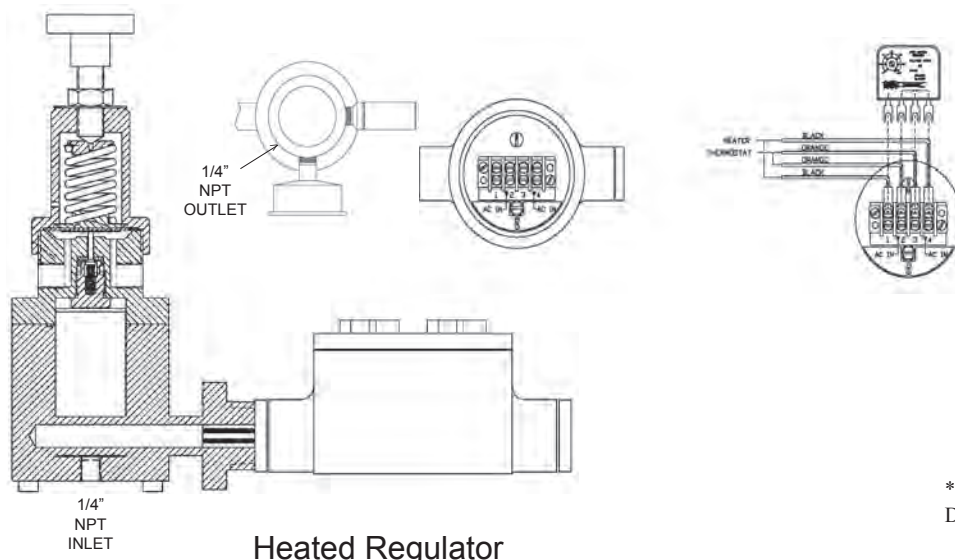


HRD-4SS



HRA-4SS

Automatic Insertion (IRA) Style
(24" travel shown)



Heated Regulator

Manufactured under U.S. Patents
5,907,107
7,471,882

*Specifications subject to change without notice.
Drawings/Photos may be shown with optional equipment.