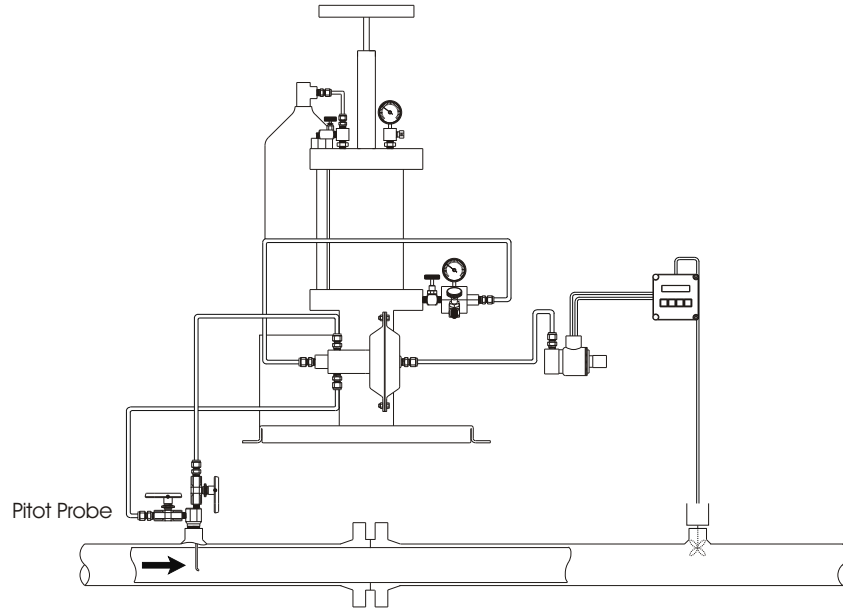


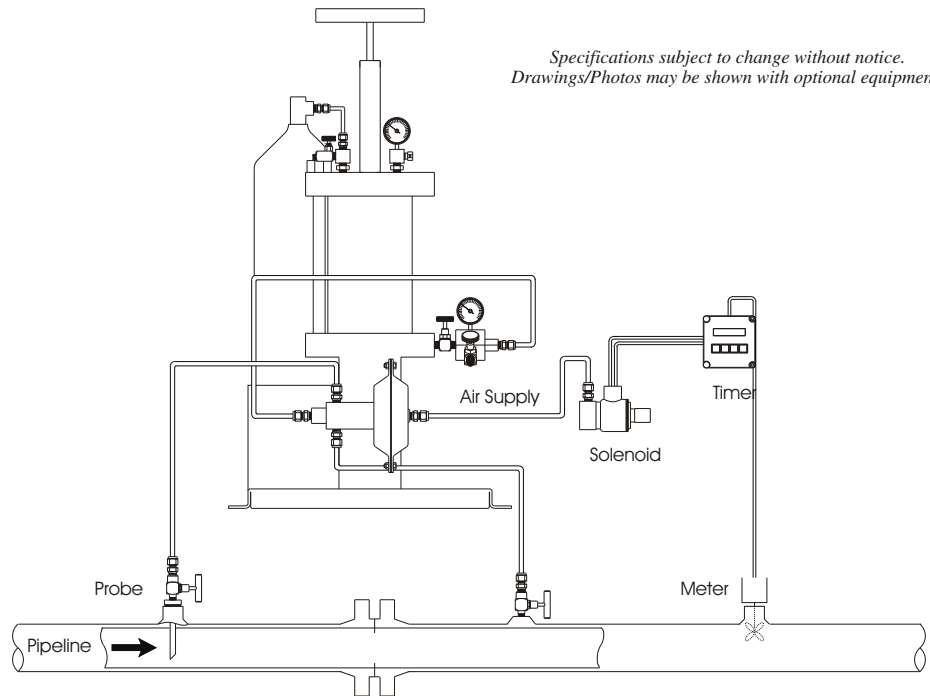
WELKER[®]
Engineering Company

ISO-9001
CERTIFIED
SINCE 1992

LS-7 Typical Installation



*Specifications subject to change without notice.
Drawings/Photos may be shown with optional equipment.*



Preferred hook-up across a pressure drop to create flow through the sampler

Welker Global Solutions for Your Needs!

P. O. Box 138 Sugar Land, TX 77487-0138
Phone: 281-491-2331 Domestic Fax: 281-491-8344 International Fax: 281-242-5623
Email: prosamp@welkereng.com Web Site: www.welkereng.com