



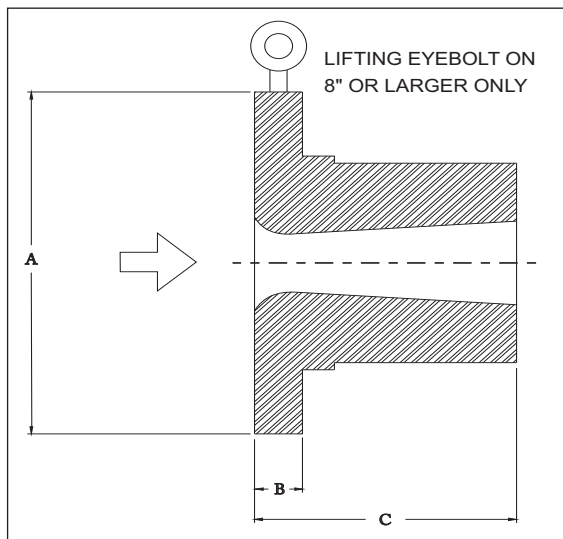
# Welker® Flow Limiting Nozzle

*Welker® Flow Limiting Nozzles provide over-range protection to rotary and turbine meters while at the same time allowing the meter to flow at designed capacities with high recovery.*



Turbine meters need over-range protection to prevent turbine rotor overspeeding caused by extreme gas velocities. Orifice plates can be used as over-range protection devices, but the permanent pressure losses associated with such practices are high. By incorporating a Venturi

design into the manufacturing of Welker® Flow Limiting Nozzles, Welker is able to allow turbine and rotary meters to flow at designed capacities while providing them with the over-range protection required and minimal pressure loss to the flowing system, all in a cost-effective way.



SIZE	A	B	C
1"	2.00"	0.50"	1.55"
2"	3.625"	1.00"	3.125"
3"	5.00"	1.00"	4.62"
4"	6.188"	1.00"	6.18"
6"	8.50"	1.25"	9.25"
8"	10.625"	1.50"	12.375"
12"	15.00"	2.00"	18.50"

**Each flange is tagged with the following I.D.**

- Material Trace Number
- Size
- ANSI
- Throat Size

**Welker® ... Global Solutions for Your Needs!**

13839 West Bellfort • Sugar Land, TX 77498-1671  
 Telephone: (281) 491-2331 • Toll Free: (800) 776-7267 • Fax: (281) 491-8344  
 Sales Email: Sales@welkereng.com • Web Site: www.welkereng.com