



Welker® Pressure Tester Volume Adjuster

Style PTVA-1

The most important product ever designed for maintaining a constant pressure during the calibration of Pressure Transmitters. Drifting regulators are a nuisance, but this can be avoided with the Welker Pressure Tester Volume Adjuster. The PTVA-1 is another Welker original product to improve your operations and add profitability to your company.

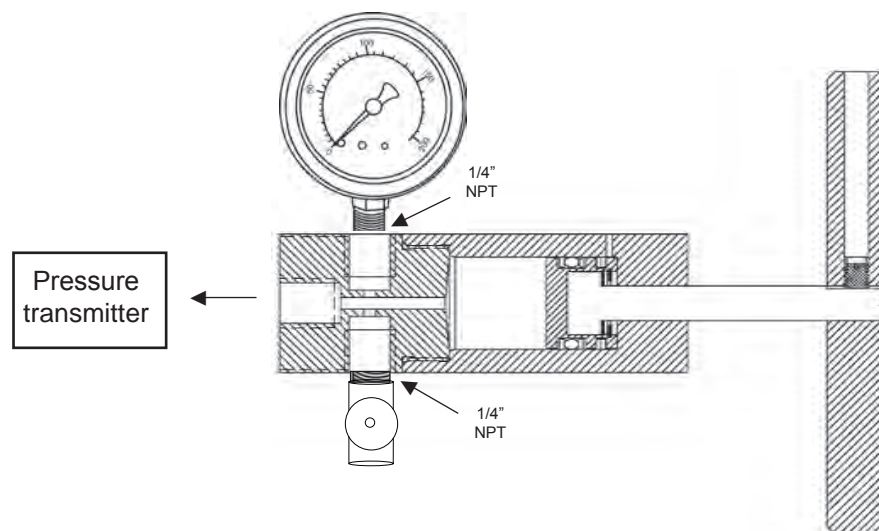


Features

- Portable
- Adjustable
- Lightweight
- 2,160 psi (149 bar) working pressure
- Stabilize and maintain pressure at set point

Applications

The PTVA-1 is used for stabilizing and maintaining the test calibration pressure of pressure recording or transmitting devices.



Welker® ... Engineering World Class Solutions!

Welker® Pressure Tester Volume Adjuster

Features

Pressure Rating

2,160 psi (149 bar) working pressure

Temperature Rating

From -40°F (-40°C) to +400°F (+204.4°C)

Materials

316 stainless steel and Viton® seals

Connections

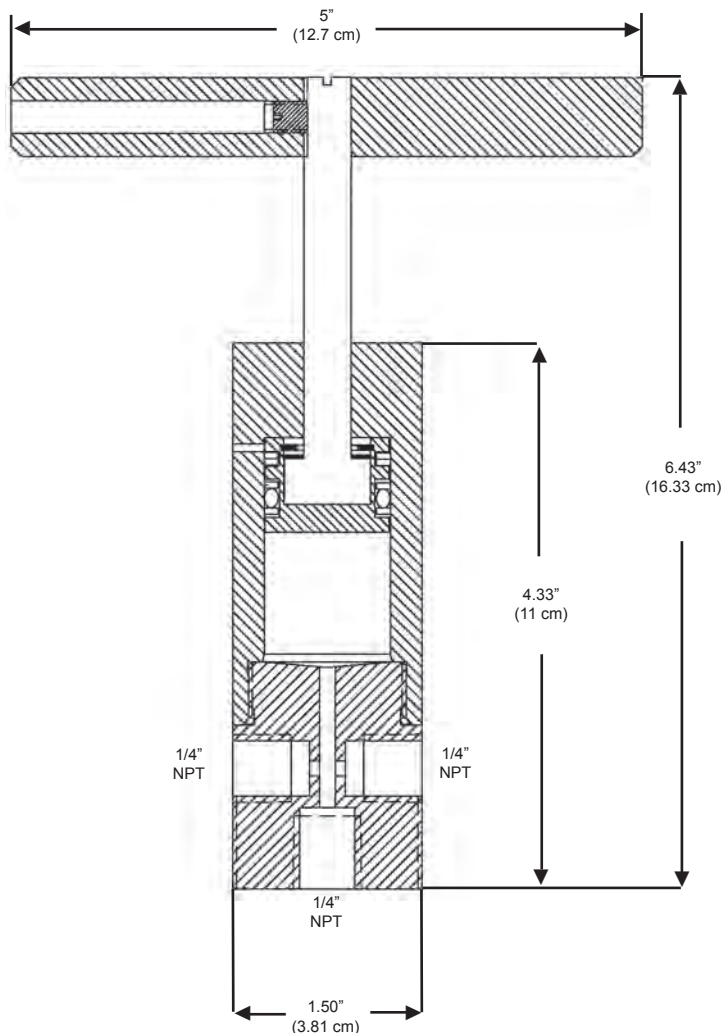
1/4" NPT

Weight

1 lb., 12 oz.



PTVA-1S



Available Models

- PTVA1 — Pressure Tester Volume Adjuster with built-in manifold end cap
- PTVA1M — Pressure Tester Volume Adjuster with manifold, gauge and two valves (NV1MF)
- PTVA1S — Pressure Tester Volume Adjuster system to include nitrogen bottle (20 cu. ft.), holder, two valves (1-NV1MF, 1-NV1MFR), gauge, carrying case (ME35900)

Other Welker Products

- Analyzer Liquid Shut-Off
- Vent Check Valve
- Fiberglass Carrying Cases
- Constant Pressure Sample Cylinders
- Instrument Regulators

*Specifications subject to change without notice.
Drawings/Photos may be shown with optional equipment.



13839 West Bellfort • Sugar Land, TX 77498-1671
Telephone: (281) 491-2331 • Toll Free: (800) 776-7267 • Fax: (281) 491-8344
Sales Email: Sales@welkereng.com • Web Site: www.welkereng.com