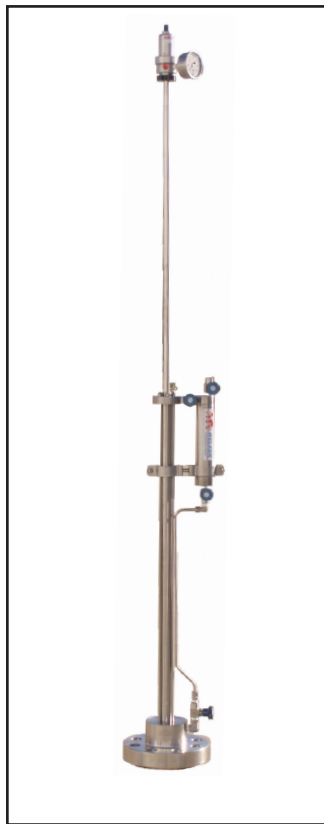




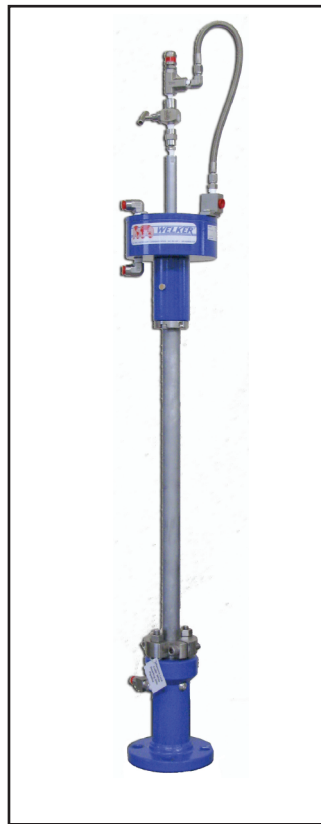
# Welker® Automatic Insertion Devices

*Safe, quick, automatic!*

*Welker AIDs can be designed for integration into your system.*



IRA-4SS



LSM-6



AID-3

*The integrated lubrication body allows for quick and easy maintenance of the inserted equipment. Cleaning, calibration, adjusting or washing of the inserted device can be achieved without the costly process of isolation and venting.*

**Welker® ... When Excellence Counts!**

# Welker® Automatic Insertion Devices

## General Description

Welker Automatic Insertion Devices have been designed to safely insert a wide variety of permanently integrated or removable analytical instruments into pipe or process lines of all pressures and sizes. This unique design allows insertion and removal of the device from a high-pressure line, through a full open isolation valve, without line shutdown. The only power that is needed is the pressure in your pipe or process line. Welker Automatic Insertion Devices are available in a wide variety of permanently integrated or removable models for adaption to virtually any type of pipe or process line inserted device.

## Features

- Allows insertion and retraction into a pipe or process line without having to depressurize the line or blow down to atmosphere.
- Works in liquid or gas
- Screwed or flanged connections
- Pneumatic or hydraulic operations
- Designs for pressures up to 10,000 psi available
- Quick and easy insertion utilizing line pressure, completely self contained (automated versions available).
- Can be designed to tie into plant control systems for remote operations
- Can be customized to fit any application

Specifications subject to change without notice.

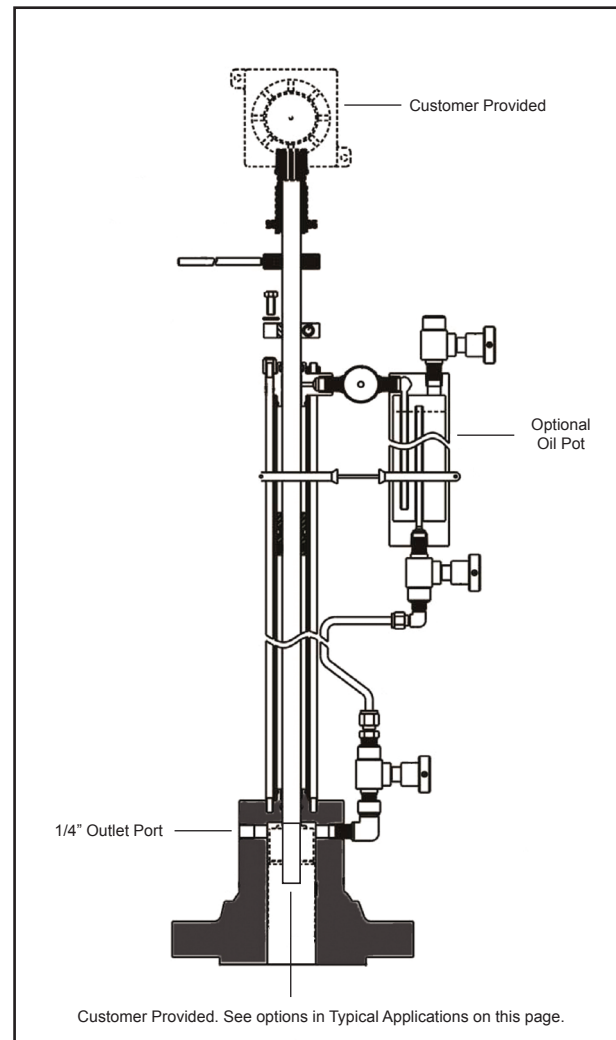
Drawings/Photos may be shown with optional equipment.

## Typical Applications

- Probes
- Ultrasonic heads
- Hydrometers
- Siphons
- Injection nozzles
- Turbine meter heads
- Temperature sensors
- Microphones
- Corrosion coupons
- pH conductivity sensors
- Fiber optic probes

Manufactured under U.S. Patents:

6,036,119      6,259,523  
5,936,168      6,338,359  
6,085,777      7,194,929  
6,120,035



*The integrated lubrication body allows for quick and easy maintenance of the insertion device unit. Cleaning calibration or washing of the tip can be achieved without the costly process of isolation and venting.*



13839 West Bellfort • Sugar Land, TX 77498-1671

Telephone: (281) 491-2331 • Toll Free: (800) 776-7267 • Fax: (281) 491-8344  
Sales Email: Sales@welkereng.com • Web Site: www.welkereng.com