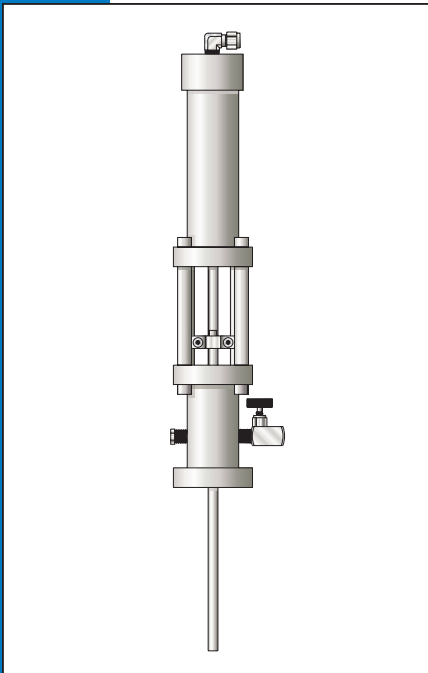


WELKER[®]
ENGINEERING COMPANY

ISO-9001
CERTIFIED
SINCE 1992



Welker Automatic Insertion Devices

AID Series

General Description

The Welker Automatic Insertion Devices have been designed to safely insert probes, ultrasonic heads, thermowells, hydrometers, siphons, injection nozzles, temperature sensors, microphones and corrosion coupons into pipelines of all pressures and sizes. This unique design eliminates the worry and necessity to vent a gas or liquid into the atmosphere in order to blowdown a section of pipeline where you need to work. The only power that is needed is the pressure in your pipeline, completely self-contained.

Features

- Allows insertion and retraction of any probe or device into a pipeline without having to depressurize the line or blowdown to atmosphere.
- Works in liquid or gas.
- Can be customized to fit any application.
- Very easy operation by simple manipulation of valves.
- Screwed or flanged connections.
- Pneumatic or hydraulic operation.
- Can be designed to any working pressure up to and including 10,000 psi (690 Bar).

Welker... When Excellence Counts!

Welker Automatic Insertion Devices

Specifications

- **Application**

The AID can be used with all products that are compatible with the materials of construction and seal material. Downstream relief is required.

- **Pressure Rating**

Standard working pressure is 1480 psi (102 Bar).

- **Temperature Rating**

From -20 to +250°F (-28 to 121°C).

- **Insertion Depth**

Standard insertion lengths are 18" (457 mm) or 24" (609 mm).

- **Materials**

Standard materials used are 316 stainless steel, carbon steel and aluminum with Viton and Fluorotrel seals.

- **Connections**

Pipeline - ANSI 150 - 300 - 600 - 900/1500 connections reference. All other connections are 1/4" FNPT.

- **Required Utilities**

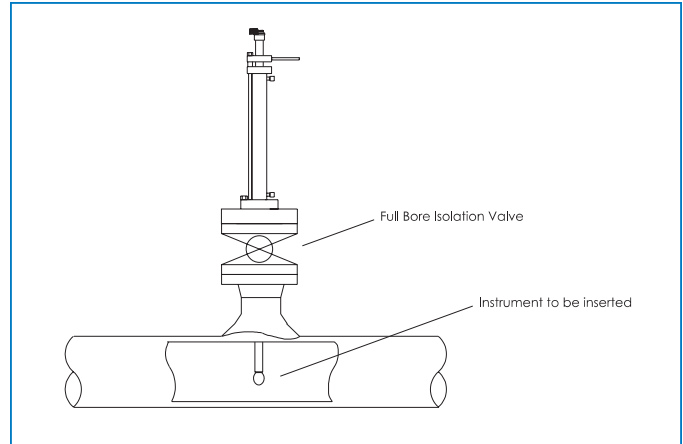
Pipeline pressure is a source for liquid and gas applications. A nitrogen bottle can be utilized for liquids if pipeline product is not suitable.

- **Weight (18" travel)**

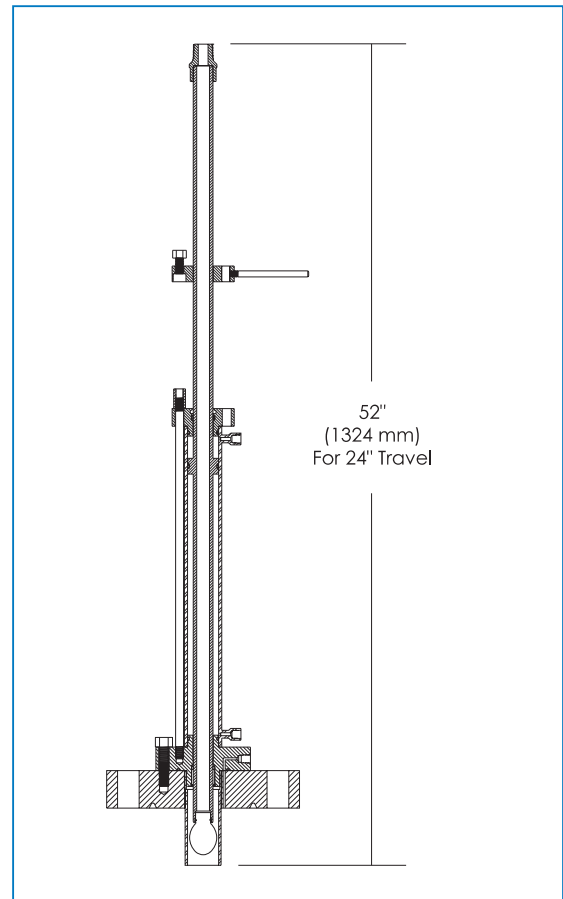
5/8" shaft - 20 lbs (9 kg).

Non-standard designs available upon request

Specifications subject to change without notice.



Typical Application



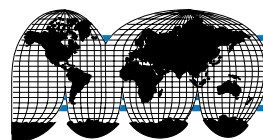
AID Standard Model

Options Available

- Other materials of construction
- Higher pressure ratings
- Higher temperature ratings
- Larger NPT and Flanged pipeline connections
- Certificates (material 3.1B, hydro, functional, conformity, etc.)

Other Welker Products

- Natural Gas and Liquid Samplers
- Instrumentation
- Control Valves
- Injection Systems
- Constant Pressure Cylinders



WELKER[®]
ENGINEERING COMPANY

P.O. Box 138 • Sugar Land, TX 77487-0138
Phone: 281-491-2331 • Domestic Fax: 281-491-8344 • International Fax: 281-242-5623
Email: prosamp@welkereng.com • Web Site: www.welkereng.com

1-800-PRO-SAMP