

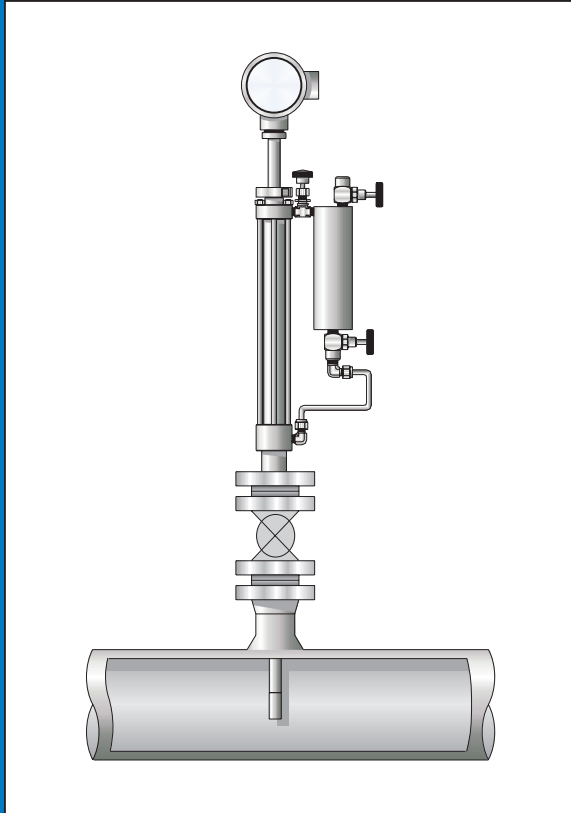
WELKER[®]
ENGINEERING COMPANY

ISO-9001
CERTIFIED
SINCE 1992

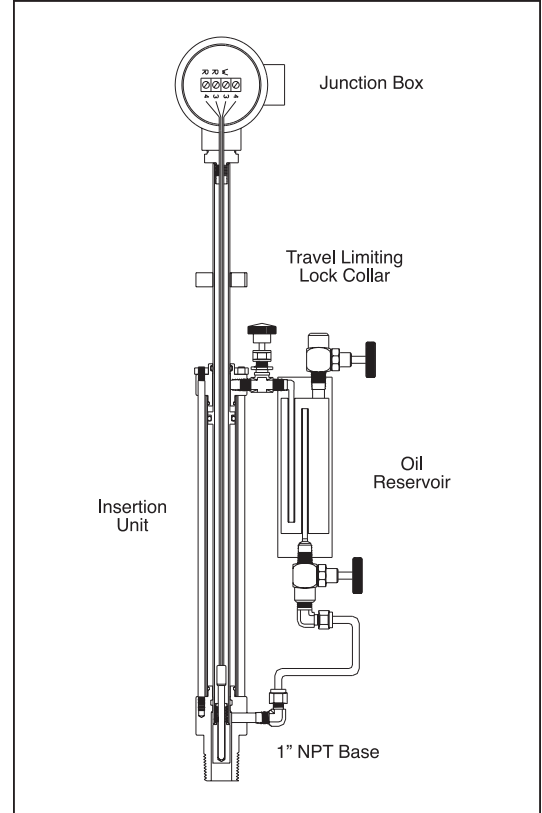
Welker Automatic Insertion Temperature Probe

AITP-1 Series

*Install accurate temperature sensing equipment
and withdraw for pigging without operations shutdown.*



Model AITP-1F



Model AITP-1S

Welker... When Excellence Counts!

Welker Automatic Insertion Temperature Probe

Specifications

- 316 Stainless Steel, Viton, PTFE
- 1440 psi (99.3 Bar) - max. pressure
- From -40° to 200°F (4 to 93°C)
- 1" NPT - process connection
- 18" Travel

Typical Applications

- Temperature signal for flow meters
- Computer Data
- EFM units from the center 1/3 of the flowing stream

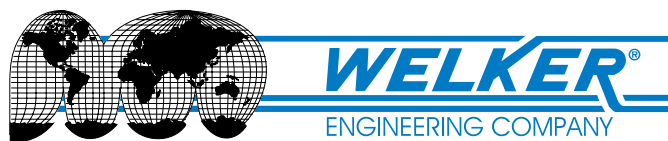
Custom Applications

Welker can supply an AITP to meet your specific needs; including high pressure, flanged units, high temperature, exotic materials or extended travel.

Call 1-800-776-7267 for further information.

Manufactured under one or more
of the following U.S. Patents:

4,346,6111 4,387,592 4,631,967



P.O. Box 138 • Sugar Land, TX 77487-0138
Phone: 281-491-2331 • Domestic Fax: 281-491-8344 • International Fax: 281-242-5623
Email: prosamp@welkereng.com • Web Site: www.welkereng.com

1-800-PRO-SAMP