

Only One Control Valve Gives You All The Features You Want Most—Welker Jet®

Why settle for incomplete design and performance when the Welker Jet control valve has everything you're looking for? The Welker Jet's aerodynamic, straight through flow path eliminates energy robbing direct impingement, while significantly reducing noise and vibration. You get a quiet valve with high recovery and high capacity characteristics — in fact, our 8-inch valve allows as much gas flow as most competitors' 12-inch models. Plus, we have the size you want — 1, 2, 4, 6 or 8-inch — in top-entry, flanged or insert styles. Call us today for more information about Welker Jet — everything you want in a control valve.



Phone: 1-800-PRO-SAMP
Visit us on the web at www.welkereng.com

HIGH RECOVERY

INFINITE RANGEABILITY

HIGH CAPACITY

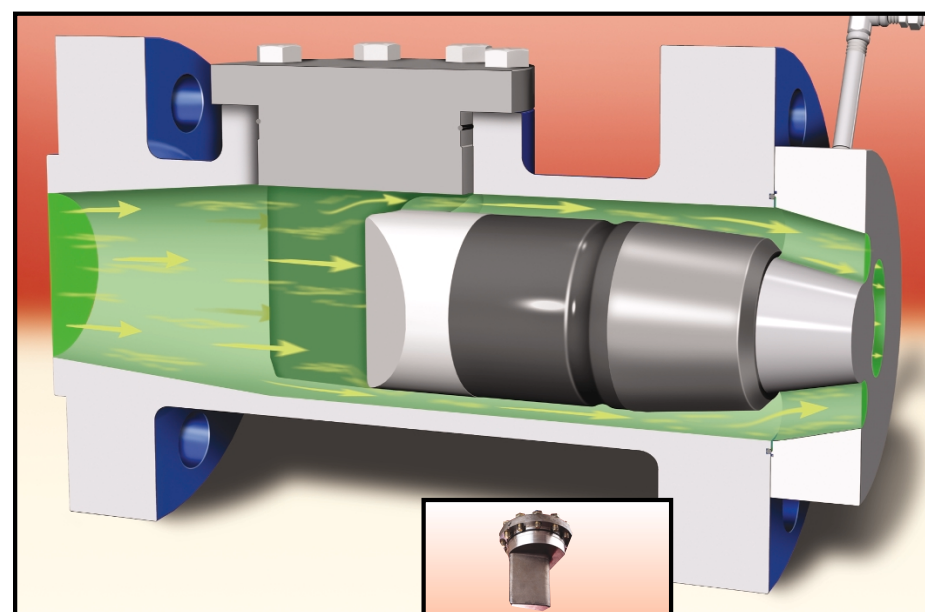
LOW NOISE

QUICK RESPONSE



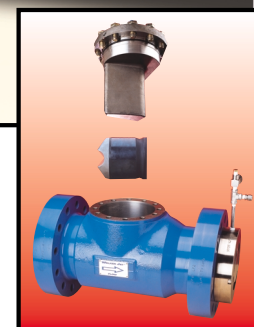
POSITIVE SHUT-OFF

EASY MAINTENANCE



Welker Jet control valves are ideal for city gate stations, co-gen plants, storage facilities, regulation and transmission stations.

The streamlined, aerodynamic design generates a unique flowpath that is unmatched by any other control valve on the market today.



Routine maintenance can be performed without opening the hydraulic system or removing the body from the line.